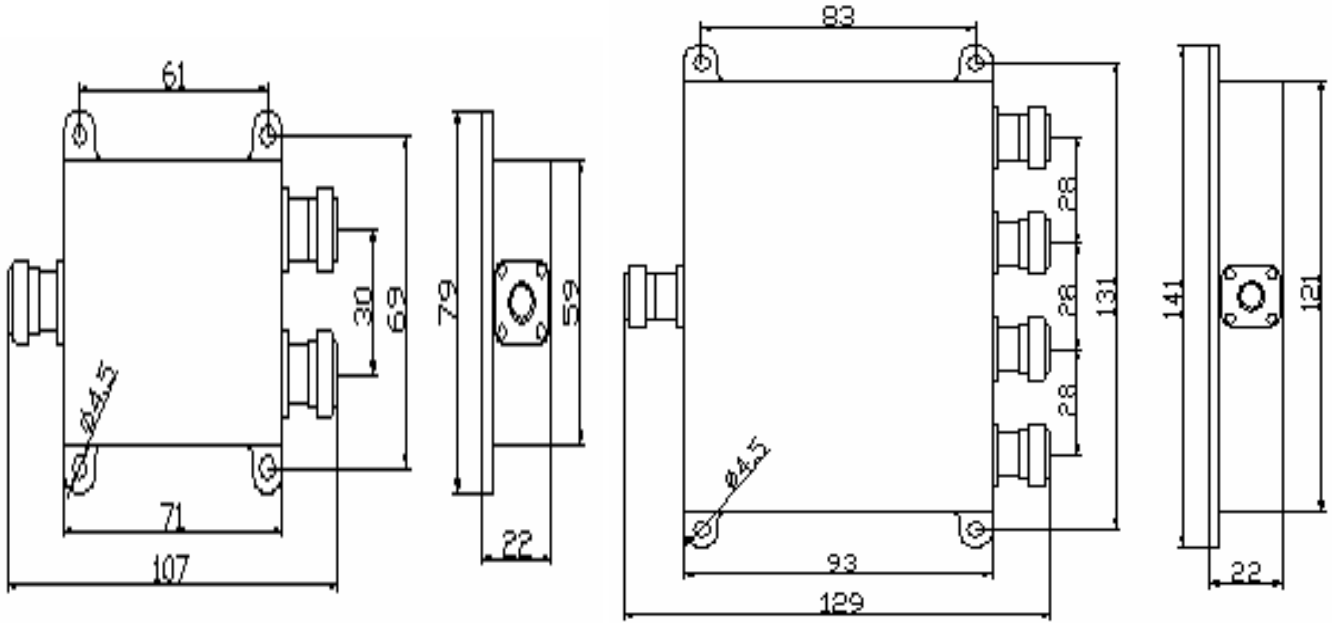


High Quality Power Dividers made to ensure optimal performance with excellent VSWR and low insertion loss thereby giving precise phase and amplitude balance in the multi-band range from 700 to 2700MHz. Available in 2, 3 and 4 way option , this splitter comes complete with IP65 specification enabling it to be used for outdoor application as well.



Model	PS2N-K70270/P50	PS3N-K70270/P50	PS4N-K70270/P50
Type	2 way divide	3 way divide	4 way divide
Frequency	700-2700MHz	700-2700MHz	700-2700MHz
VSWR for full bandwidth	<1.2:1	<1.3:1	<1.35:1
Insertion Loss	<0.4dB	<0.7dB	<0.7dB
Isolation	20dB min.	18dB min.	16dB min.
Impedance	50 ohms	50 ohms	50 ohms
Input Power	50 Watt	50 Watt	50 Watt
Operating Temperature	-30°C ~ +60°C	-30°C ~ +60°C	-30°C ~ +60°C
Connector	N Female	N Female	N Female
Dimension (Overall)	107 x 79 x 22mm	129 x 111 x 22mm	129 x 141 x 22mm
Weight	0.25KG	0.42KG	0.60KG